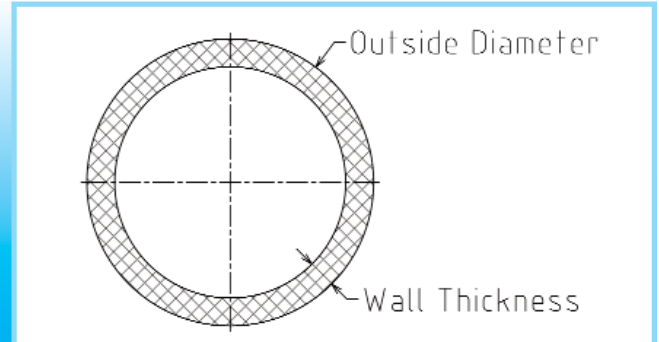


Pipe



Schedule 40	Average OD	Wall Thickness	Weight per Stick (lbs)		Sticks per Bundle	
			PP	PVDF	PP	PVDF
1½	1.900	0.145	4	8.8	10	10
2	2.375	0.154	6	12.5	10	5
3	3.500	0.216	10	18	5	3
4	4.500	0.237	15	28	3	1
6	6.625	0.280	24	48	1	1
8	8.625	0.322	42	N/A	1	1
10	10.750	0.365	65	N/A	1	1
12	12.750	0.406	91	N/A	1	1

Schedule 80	Average OD	Wall Thickness	Weight per Stick (lbs)		Sticks per Bundle	
			PP	PVDF	PP	PVDF
1½	1.900	0.200	6	9	10	5
2	2.375	0.218	7	12	10	5
3	3.500	0.300	13	25	5	3
4	4.500	0.337	18	34	3	1
6	6.625	0.432	29	58	1	1
8	8.625	0.500	55	N/A	1	1
10	10.750	0.593	96	N/A	1	1
12	12.750	0.687	113	N/A	1	1

Large Diameter	Average OD	Wall Thickness	Weight per Stick (lbs)		Sticks per Bundle	
			PP	PVDF	PP	PVDF
14	13.98	.423	125	N/A	1	N/A
16	15.75	.477	159	N/A	1	N/A
18	17.75	.538	200	N/A	1	N/A

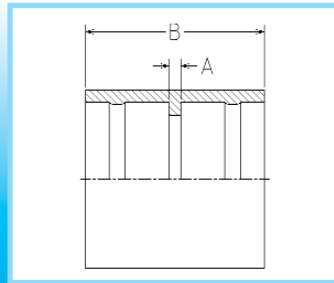
Acid Waste Fitting Dimensions

Revision3, 6-10-2010

No-Hub/Plain End

CLS

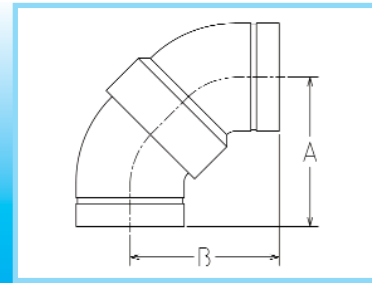
No-Hub Coupling



Size:	A	B	C	D	E
1½	0.13	1.63			
2	0.13	2.00			
3	0.13	2.78			
4	0.13	3.25			
6	0.13	4.50			

LS90E

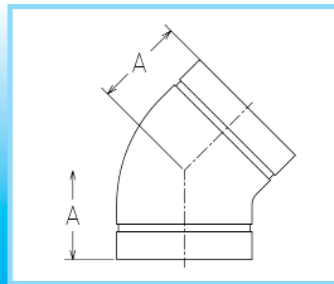
Long Sweep



Size:	A	B	C	D	E
1½	3.16	3.16			
2	3.44	3.44			
3	5.13	4.88			
4	6.94	5.78			

45E

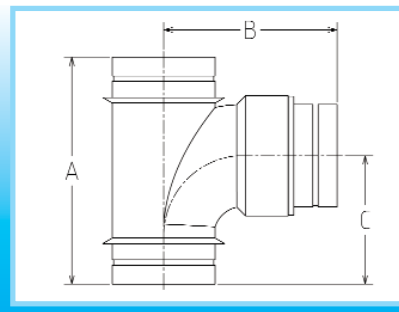
1/8 Bend



Size:	A	B	C	D	E
1½	1.50				
2	1.56				
3	2.38				
4	2.78				
6	4.22				

90T

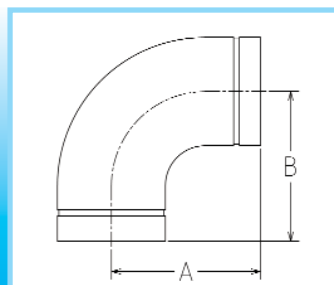
Sanitary Tee



Size:	A	B	C	D	E
1½	4.75	3.28	2.63		
2	5.56	4.19	3.19		
3	7.66	6.00	4.19		
4	10.19	6.88	5.69		

90E

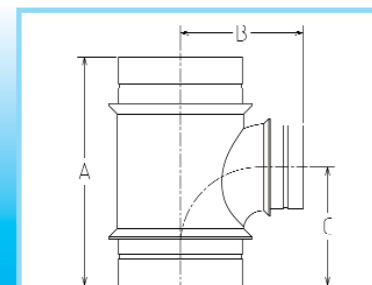
1/4 Bend



Size:	A	B	C	D	E
1½	2.56	2.56			
2	3.41	3.41			
3	4.53	4.53			
4	5.25	5.25			
6	9.60	7.25			

R90T

Reducing Sanitary Tee



Size:	A	B	C	D	E
2x1½	5.00	2.66	2.63		
3x1½	6.75	3.31	3.56		
3x2	6.75	3.56	3.56		
4x1½	10.13	TBD	5.69		
4x2	10.13	6.56	5.69		
4x3	10.13	6.78	5.69		

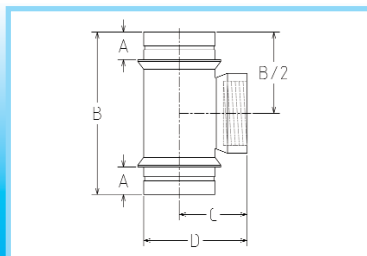
ALL DIMENSIONS IN INCHES • Dimensional Tolerance = +/- 0.0625"

No-Hub/Plain End

Acid Waste Fitting Dimensions

Revision3, 6-10-2010

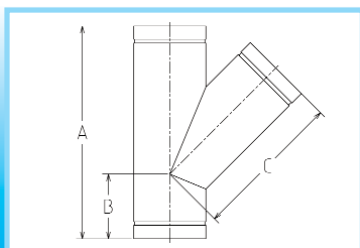
COT Clean Out Tee



Size:	A	B	C	D	E
1½	0.81	8.13	2.13	3.06	
2	1.31	5.44	2.13	3.31	
3	1.35	10.72	2.88	4.69	
4	1.54	12.29	3.54	5.75	
6	2.13	19.37	9.56	12.81	

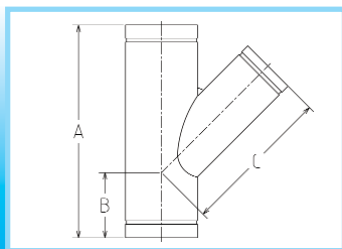
counter-sunk plug included

45Y Single Wye



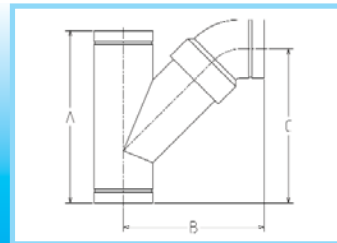
Size:	A	B	C	D	E
1½	6.38	2.00	4.38		
2	7.25	2.22	5.06		
3	9.13	2.63	7.13		
4	11.06	3.19	8.56		
6	19.44	6.06	11.56		

R45Y Reducing Single Wye



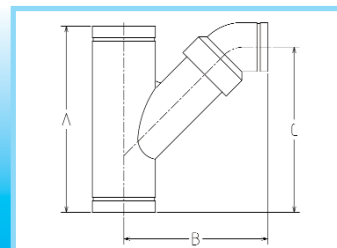
Size:	A	B	C	D	E
2x1½	7.25	2.25	5.00		
3x1½	7.25	1.88	5.47		
3x2	8.00	2.19	6.00		
4x1½	8.56	1.88	9.19		
4x2	8.56	1.88	7.06		
4x3	10.13	2.69	7.69		
6x2	19.44	5.94	12.50		
6x3	19.44	5.94	12.81		
6x4	19.44	5.94	12.88		

LTY Long Turn Wye



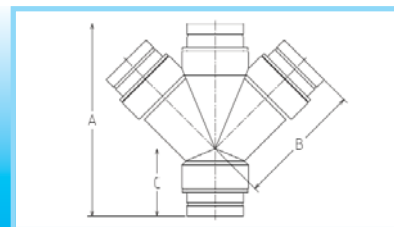
Size:	A	B	C	D	E
1½	6.38	5.25	5.75		
2	7.25	5.88	6.44		
3	9.13	8.56	8.56		
4	11.06	10.38	10.50		
6	19.44	13.69	15.88		

RLTY Reducing Long Turn Wye



Size:	A	B	C	D	E
2x1½	7.25	5.72	6.41		
3x1½	7.25	5.94	6.41		
3x2	8.00	6.38	7.16		
4x1½	8.56	7.78	8.28		
4x2	8.56	7.06	7.63		
4x3	10.13	8.75	8.91		
6x2	19.44	11.06	15.56		
6x3	19.44	11.13	14.97		
6x4	19.44	11.40	15.06		

D45Y Double Wye



Size:	A	B	C	D	E
1½	6.34	4.31	2.06		
2	8.31	5.44	2.84		
3	8.72	6.50	2.13		
4	11.66	8.09	3.44		
6	19.44	11.56	6.06		

ALL DIMENSIONS IN INCHES • Dimensional Tolerance = +/- 0.0625"

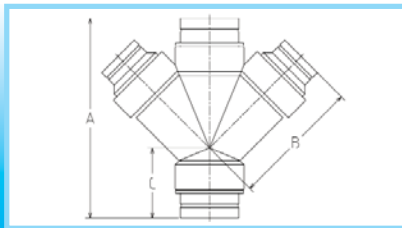
Acid Waste Fitting Dimensions

Revision3, 6-10-2010

No-Hub/Plain End

RD45Y

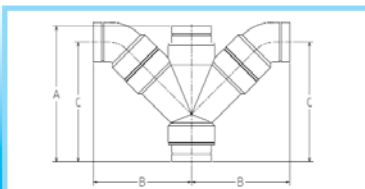
Reducing Double Wye



Size:	A	B	C	D	E
2x1½	8.22	5.50	2.69		
3x1½	6.25	5.44	1.13		
3x2	8.75	6.38	2.16		
4x1½	8.31	7.78	1.59		
4x2	8.41	8.03	1.59		
4x3	10.22	7.50	2.50		
6x2	19.44	12.38	5.94		
6x3	19.44	12.94	5.94		
6x4	19.44	12.38	5.94		

DLTY

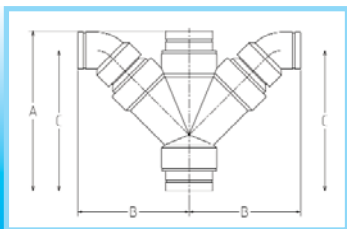
Double Long Turn Wye



Size:	A	B	C	D	E
1½	6.34	4.50	5.13		
2	8.31	5.13	6.38		
3	8.72	7.94	7.91		
4	11.66	9.63	10.19		
6	19.44	14.72	16.38		

RDLTY

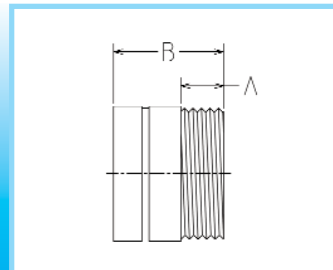
Reducing Double Long Turn Wye



Size:	A	B	C	D	E
2x1½	8.22	5.69	7.19		
3x1½	6.25	5.97	5.72		
3x2	8.75	6.66	7.44		
4x1½	8.31	7.75	8.19		
4x2	8.41	6.84	7.09		
4x3	10.22	8.59	8.97		
6x2	19.44	11.06	15.56		
6x3	19.44	11.13	14.97		
6x4	19.44	11.66	15.06		

MA

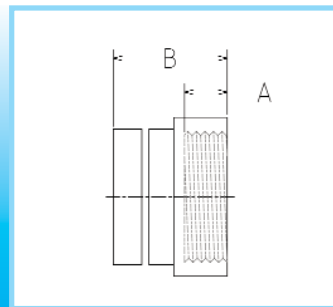
Male Adapter



Size:	A	B	C	D	E
1½	0.81	2.09			
2	0.81	2.09			
3	1.28	3.00			
4	1.28	3.00			
6	1.97	4.38			

FA

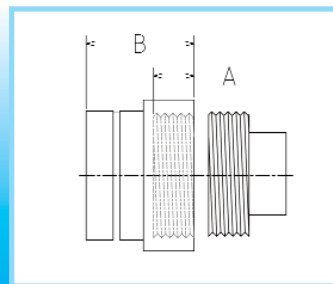
Female Adapter



Size:	A	B	C	D	E
1½	0.81	2.09			
2	0.81	2.09			
3	1.28	3.00			
4	1.28	3.00			
6	1.97	4.38			

COA

Cleanout Adapter



Size:	A	B	C	D	E
1½	0.81	2.09			
2	0.81	2.09			
3	1.28	3.00			
4	1.28	3.00			
6	1.97	4.38			

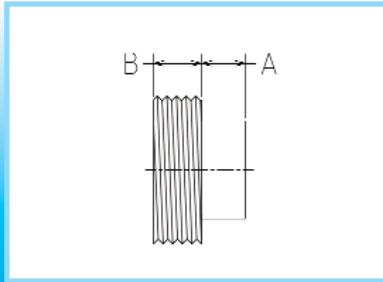
ALL DIMENSIONS IN INCHES • Dimensional Tolerance = +/- 0.0625"

No-Hub/Plain End

Acid Waste Fitting Dimensions

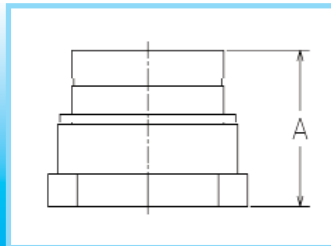
Revision3, 6-10-2010

CPC Cleanout Plug



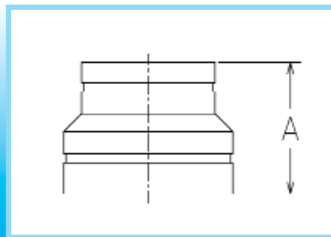
Size:	A	B	C	D	E
1½	0.38	1.00			
2	0.69	1.00			
3	0.69	1.13			
4	0.66	1.13			
6	0.94	1.31			

CAP Cap



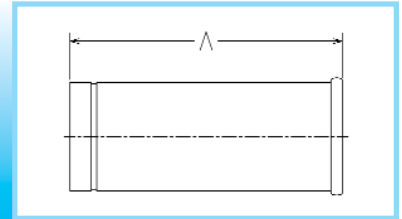
Size:	A	B	C	D	E
1½	2.31				
2	2.59				
3	3.19				
4	3.38				
6	5.19				

RB Reducing Bushing



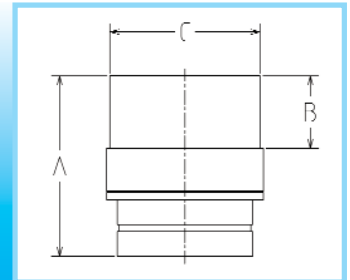
Size:	A	B	C	D	E
2x1½	2.06				
3x1½	2.47				
3x2	2.56				
4x1½	4.28				
4x2	2.72				
4x3	3.00				
6x2	TBD				
6x3	TBD				
6x4	5.47				

DHA Duriom Hub X MJ Adapter



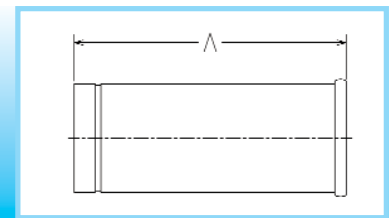
Size:	A	B	C	D	E
1½	6.00				
2	6.00				
3	6.00				
4	6.00				
6	6.00				

DA Duriom X MJ Adapter



Size:	A	B	C	D	E
1½	3.06	1.09	2.19		
2	3.38	1.09	2.66		
3	4.69	1.09	3.75		
4	4.69	1.09	4.81		

CIA Cast Iron Hub X MJ Adapter



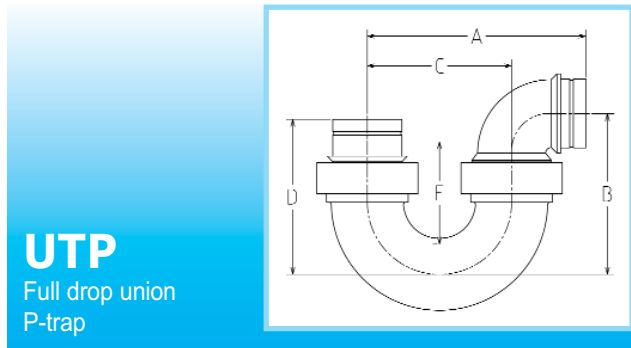
Size:	A	B	C	D	E
1½	6.00				
2	6.00				
3	6.00				
4	6.00				
6	6.00				

ALL DIMENSIONS IN INCHES • Dimensional Tolerance = +/- 0.0625"

Acid Waste Fitting Dimensions

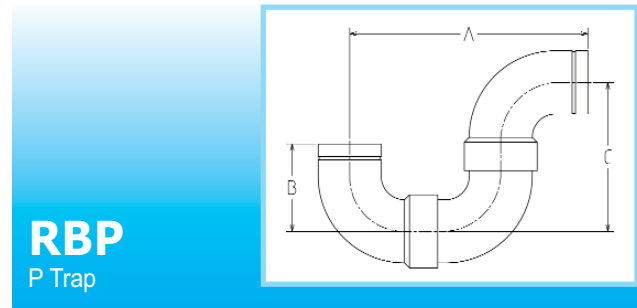
Revision3, 6-10-2010

No-Hub/Plain End



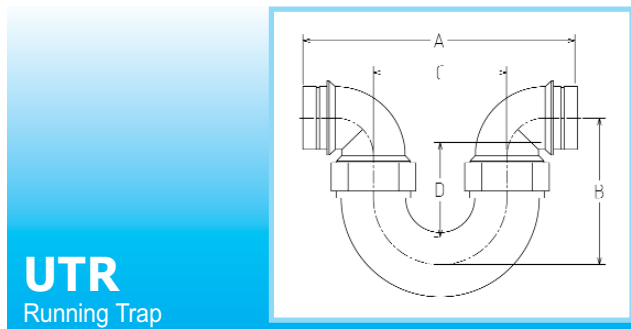
UTP
Full drop union
P-trap

Size:	A	B	C	D	E
1½	6.50	4.88	4.00	4.88	3.75
2	7.75	5.50	5.00	5.50	TBD



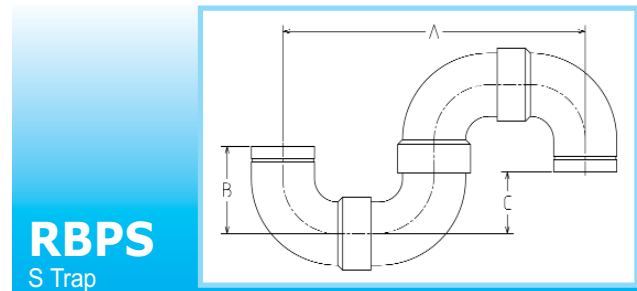
RBP
P Trap

Size:	A	B	C	D	E
1½	6.53	2.56	4.38		
2	8.53	3.41	5.81		
3	12.03	4.44	7.78		
4	14.13	5.25	8.84		
6	19.63	14.38	11.94		



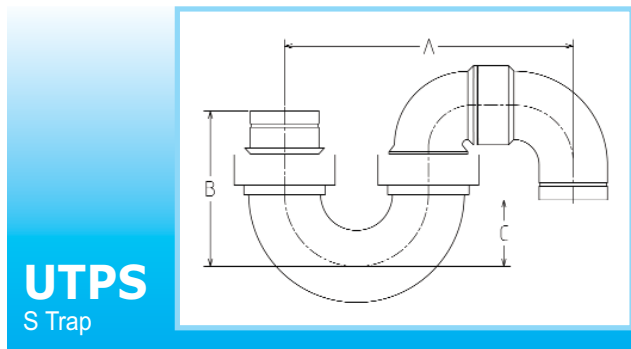
UTR
Running Trap

Size:	A	B	C	D	E
1½	8.87	4.88	4.00	3.75	
2	10.47	5.50	5.00	4.00	



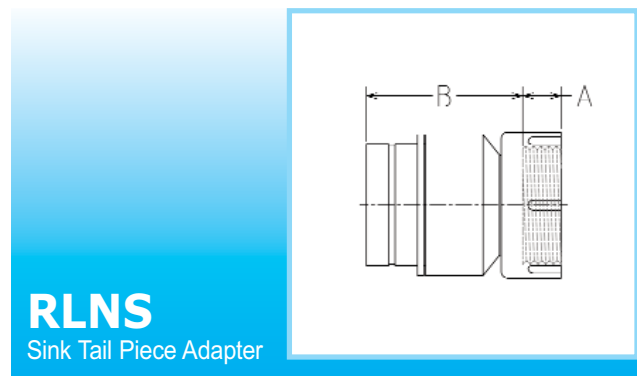
RBPS
S Trap

Size:	A	B	C	D	E
1½	8.50	2.56	1.50		
2	11.38	3.41	2.19		
3	15.25	4.53	3.13		
4	18.13	5.25	3.25		



UTPS
S Trap

Size:	A	B	C	D	E
1½	8.00	4.88	2.34		
2	10.00	5.50	2.19		



RLNS
Sink Tail Piece Adapter

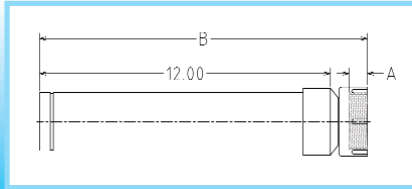
Size:	A	B	C	D	E
1½	0.94	2.53			
2	1.13	3.22			

ALL DIMENSIONS IN INCHES • Dimensional Tolerance = +/- 0.0625"

No-Hub/Plain End

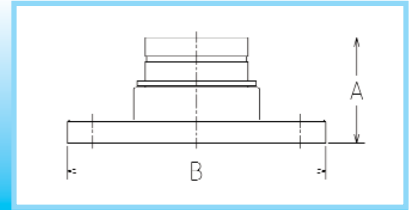
Acid Waste Fitting Dimensions

Revision3, 6-10-2010



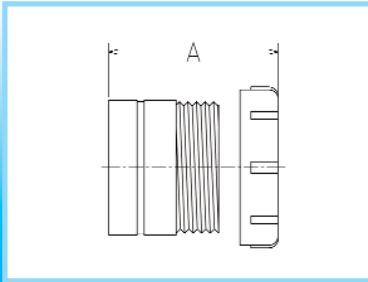
RLNS12
Sink Tail Piece Extension

Size:	A	B	C	D	E
1½	0.93	13.25			
2	1.19	13.50			



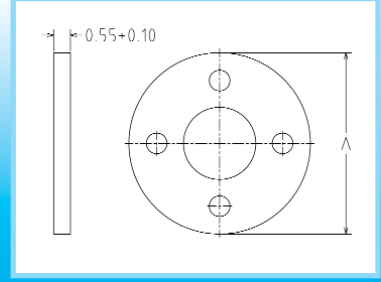
FLG
Flange

Size:	A	B	150# ANSI Pattern Holes
1½	2.16	5.06	
2	2.66	5.97	
3	3.16	7.36	
4	3.25	8.97	
6	5.13	10.91	



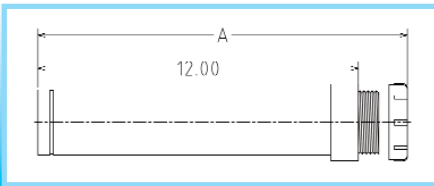
SJ
Slip Joint Adapter

Size:	A	B	C	D	E
1½	2.37				
2	2.31				



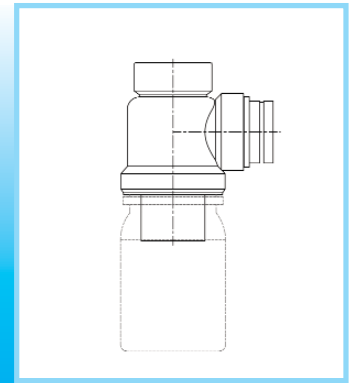
BACK UP
Backup Ring

Size:	A	150# ANSI Pattern Holes
1½	4.97	
2	6.03	
3	7.50	
4	9.00	
6	11.03	



SJA12
Slip Joint Adapter X 12

Size:	A	B	C	D	E
1½	13.53				
2	13.50				



BT1
Bottle Trap w/o Bottle

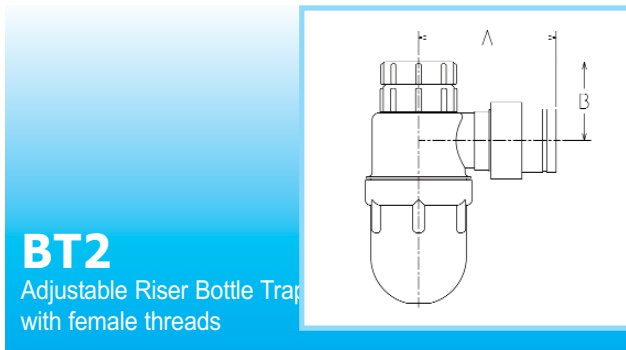
Size:	A	B	C
w/o BOTTLE			
1PT	3.06	2.06	8.78
1QT	3.06	2.06	10.44
2QT	3.06	2.06	11.78

ALL DIMENSIONS IN INCHES • Dimensional Tolerance = +/- 0.0625"

Acid Waste Fitting Dimensions

Revision3, 6-10-2010

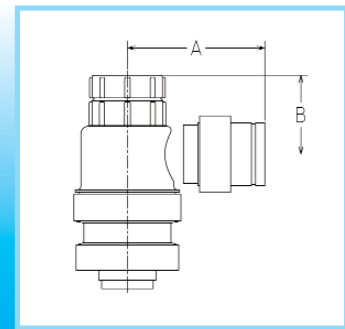
No-Hub/Plain End



BT2

Adjustable Riser Bottle Trap
with female threads

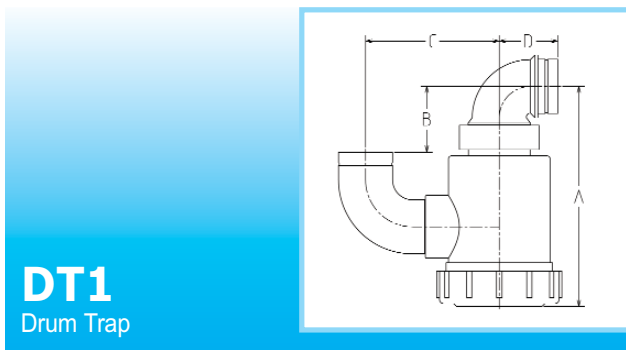
Size:	A	B	C	D	E
1½	3.38	2.44			



BT3

adjustable Riser Bottle Trap
Without bottle for use with
glass mason Jar

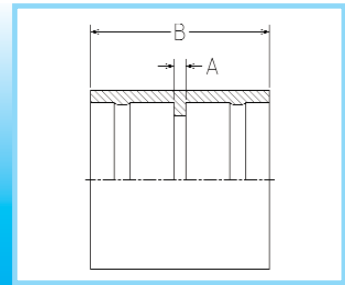
Size:	A	B	C	D	E
1½	3.38	2.44			



DT1

Drum Trap

Size:	A	B	C	D	E
1½	9.38	3.69	4.75	3.63	
2	10.09	3.59	5.75	4.50	



CLS

Rionfuse CF Coupling

Size:	A	B	C	D	E
1½	0.13	2.06			
2	0.13	2.06			
3	0.13	2.97			
4	0.13	2.97			
6	0.13	4.19			

ALL DIMENSIONS IN INCHES • Dimensional Tolerance = +/- 0.0625"